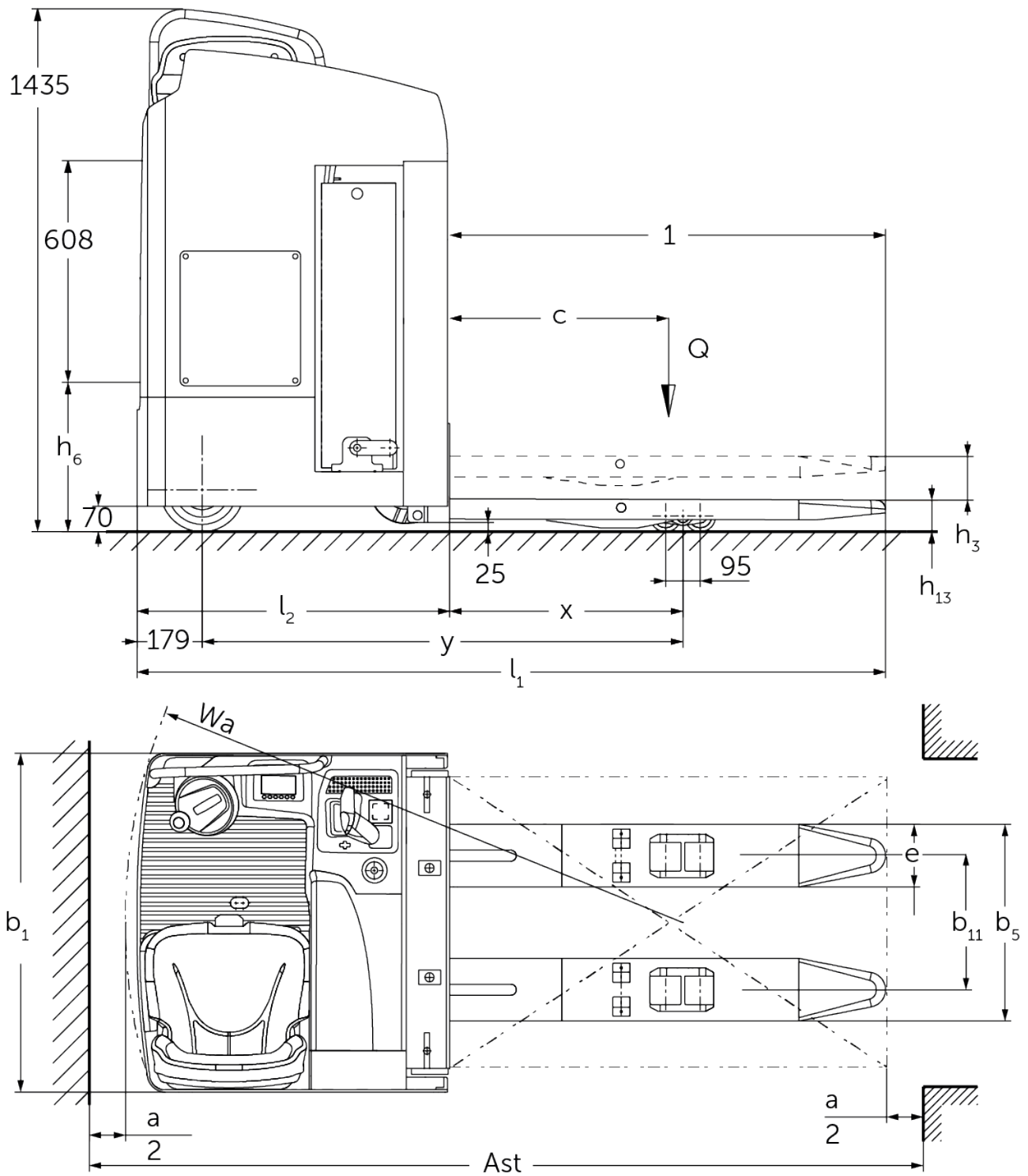




Electric sideways-seated pallet truck **ESE 220-320**

Lift height: 125 mm / Load capacity: 2000 kg

ESE 220-320



VDI table

Stand-on: 08/2023

Characteristic	No.	Description			Jungheinrich	
					ESE 220	ESE 320
Characteristic	1.1	Manufacturer (abbreviated description)			Jungheinrich	
	1.2	Manufacturer's type designation			ESE 220	ESE 320
	1.3	Drive			Electric	
	1.4	Operation			Seat	
	1.5	Load capacity/load	Q	kg	2000	
	1.6	Load centre distance	c	mm	600	
	1.8	Load distance, centre of drive axle to fork	x	mm	868	
	1.9	Wheelbase	y	mm	1548	
	Weights	2.1.1	Service weight (incl. battery)			1062
2.2		Axle load laden front/rear			1896 / 1142	1902 / 1182
2.3		Axle load unladen front/rear			258 / 808	264 / 816
Wheels/suspension system	3.1	Tyres			Polyurethane (PU)	
	3.2	Tyre size, front			Ø 230 x 78	
	3.3	Tyre size, rear			Ø 85x85	
	3.4	Additional wheels			Ø 140 x 54	
	3.5	Wheels, number front/back (x=driven)			2 + 1x / 4	
	3.6	Tread width, front	b ₁₀	mm	544	645
	3.7	Tread width, rear	b ₁₁	mm	385	
Basic dimensions	4.4	Lift (h ₃)	h ₃	mm	125	
	4.8	Seat height/stand height	h ₇	mm	1020	
	4.15	Height, lowered	h ₁₃	mm	90	
	4.19	total length	l ₁	mm	2009	
	4.20	Length including fork shank	l ₂	mm	859	
	4.21.1	total width	b ₁	mm	820	930
	4.22	Fork dimensions	s/e/l	mm	60 x 172 x 1150	
	4.25	Width across forks	b ₅	mm	540	
	4.32	Ground clearance centre of wheelbase	m ₂	mm	25	
	4.34.2	Aisle width (pallet 800x1200 length)	Ast	mm	2259	
	4.35	Turning radius	W _a	mm	1739	1751
Performance data	5.1	Travel speed laden/unladen			10 / 12.5	
	5.2	Lift speed laden/unladen			0.06 / 0.07	
	5.3	Lowering speed laden/unladen			0.06 / 0.05	
	5.8	Max. gradeability laden/unladen			8 / 13	
	5.10	Service brake			electric	
E-motor/Electronics	6.1	Drive motor, performance S2 60 min			2.8	
	6.2	Lift motor, performance with S3			2.2	
	6.3	Battery according to DIN 43531/35/36			no	
	6.4	Battery voltage/nominal capacity			24 / 465	
	6.5	Battery weight			380	
	6.6	Energy consumption according to VDI cycle			0	
	6.6.1	Energy consumption according to EN cycle			0.41	0.43
6.6.2	CO2 equivalent as per EN 16796			0.2		
Other	8.1	Type of drive control			AC	

- This data sheet according to VDI guideline 2198 only states the technical values of the standard truck. Different tyres, other masts, additional equipment etc. may result in different values.

The values in the table apply for the width across forks 540 mm, fork length 1,150 mm, raised support arm lift.

- VDI no. 1.8: lowered support arm lift: $x + 95$ mm.
- VDI no. 1.9: lowered support arm lift: $y + 95$ mm.
- VDI no. 4.35: lowered support arm lift: $Wa + 95$ mm.

The German production facilities in
Norderstedt, Moosburg and Landsberg
are certified as well as our Genuine Parts
Center in Kaltenkirchen. ISO 9001
ISO 14001

Jungheinrich fork lift trucks meet
European safety requirements. 

**JUNGHEINRICH**